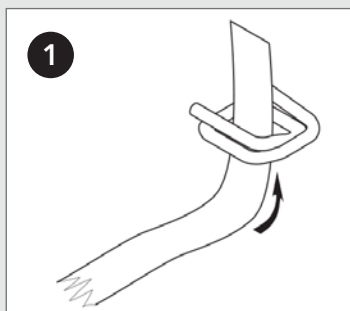


◀ HOW TO USE IT ▶

Depending on the type of buckle, different methods can be used to thread the cord and composite strap into the locking buckle.

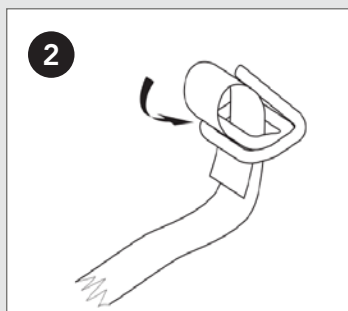
Option I can be used for buckles with open ends. **Option II** can be used for closed buckles.

Decisive for the method applied for strap mounting are the details furnished by the producer of the locking buckle used in combination with the cord or composite strap applied.



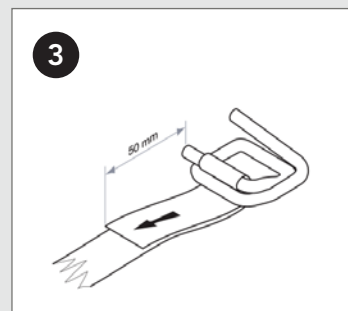
Placing strap end into buckle

The locking buckle ends must point upward and away from the operator. Run the strap end from the bottom through the buckle opening.



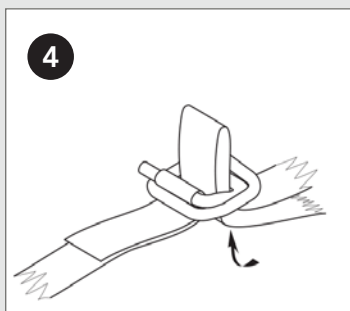
Inserting the strap end into the buckle

Run the strap end around the buckle end located left from the operator and lead it through the distance between the buckle end and lower located buckle winding.



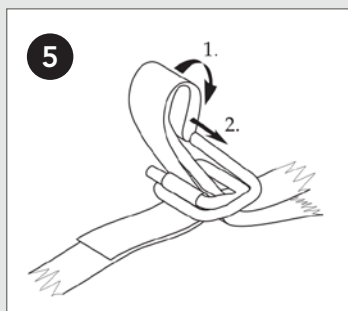
Termination of strap end mounting

Lead strap end through the buckle until it protrudes over the buckle 50 mm minimum. Now run the strap around the package or around the cargo unit to be secured.



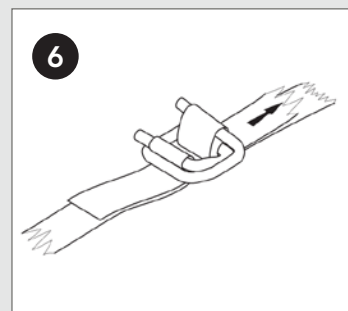
Inserting strap loop into buckle

Bend over strap and place bent portion from lower end through buckle opening.



Mounting strap loop in buckle

First bend folded portion approx. 180° around the right hand buckle end and then slide it over buckle end.



Tightening the strap

Manually tighten the upper strap portion retaining the lower portion of the strap ensuring that the buckle is not displaced.