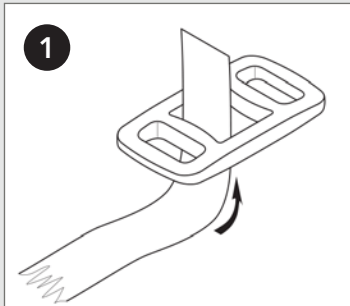


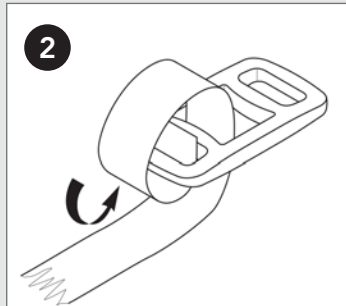


◀ HOW TO USE IT ▶



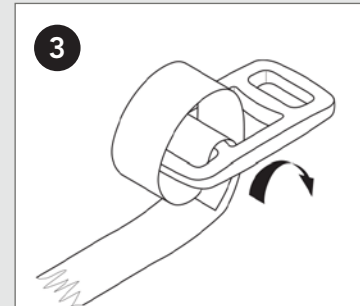
1 Placing the first strap end into the buckle

Run the first strap end from below through the middle buckle opening.



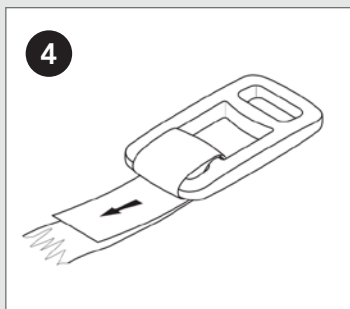
2 Inserting the strap end first step

Run the strap end from below around the buckle opening located left of the operator.



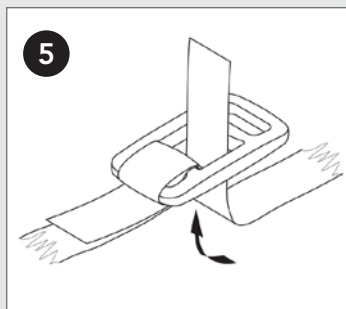
3 Inserting the strap end second step

Now push the strap end from above through the middle opening.



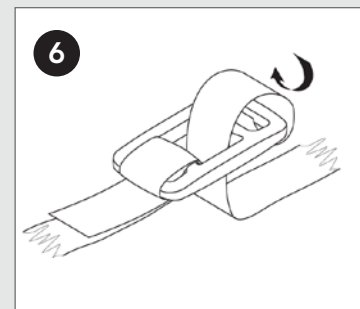
4 Tightening the strap

Pull the strap leaving the locking buckle so that strap loop closes around the buckle.



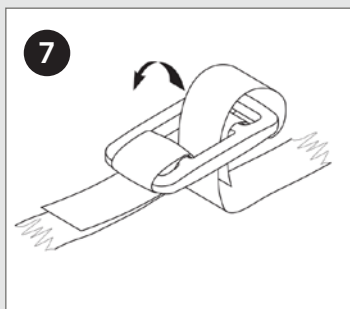
5 Placing the second strap end into the buckle

Run the strap around the package or item to be secured and place the second strap end from below into the middle buckle opening.



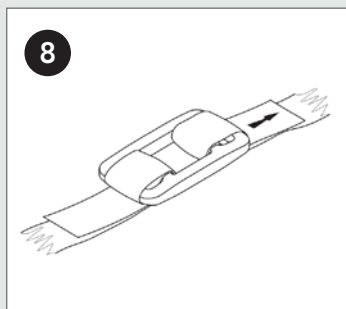
6 Inserting the strap end first step

Run the strap end from below around the buckle opening located right of the operator.



7 Inserting the strap end second step

Now push the strap end from above through the middle opening.



8 Tightening the strap

Pull the strap leaving the locking buckle so that strap loop closes around the buckle.